

WHERE TO START WITH YOUR NI 5411 ARBITRARY WAVEFORM GENERATOR FOR PXI™, PCI, AND ISA

This document explains how to set up, test, and begin using your NI 5411.

You can control the NI 5411 interactively with the VirtualBench-FG or VirtualBench-ARB soft front panel software, or you can control it programmatically with an application development environment (ADE) using the supplied NI-FGEN Interchangeable Virtual Instrument (IVI) driver. The supported ADEs include LabVIEW, LabWindows/CVI, Visual Basic, and any other C or C++ environment.

Install Your Software

Use the following procedure to set up the software for your NI 5411:

1. If you are using an ADE or third-party tool, make sure that it is installed.
2. Insert your National Instruments Arbitrary Waveform Generator software CD into your CD-ROM drive. Click the **Install** option in the installation window that appears.
3. To install the instrument driver, ADE examples, and VirtualBench-ARB soft front panel, choose the **Programmatic and Interactive Support** option. To install only the VirtualBench-ARB and VirtualBench-FG soft front panels, choose the **Interactive Support Only** option.

The software installation is complete.

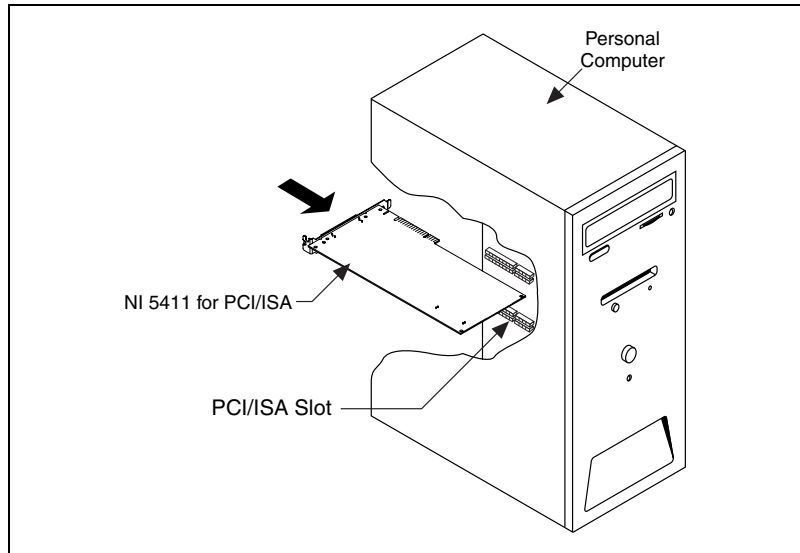
Install Your Hardware

Install your NI 5411 hardware as shown in the following illustrations.

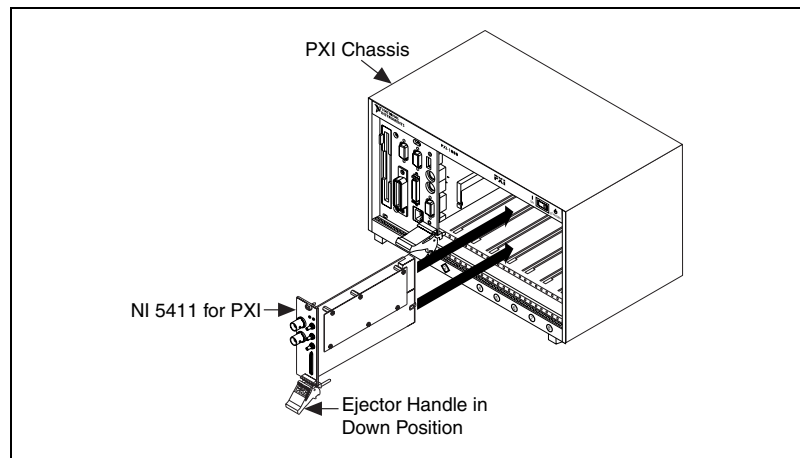


Caution You *must* turn off your PC or chassis before installing your NI 5411. To prevent damage due to electrostatic discharge or contamination, handle the board using the edges or the metal bracket.

◆ NI 5411 (PCI or ISA)



◆ NI 5411 (PXI)



Configure Your NI 5411

To configure and test your NI 5411, double-click the **Measurement & Automation** icon on your computer desktop, and follow these steps:

1. Double-click the **Devices and Interfaces** icon to open a list of recognized devices.
2. Find the device in the list that corresponds to your NI 5411. Notice the device number assigned to your device. You will need to use this device number when you program your device.
3. Right-click the device, and select **Properties** from the pop-up menu.
4. From the Properties window, click the **Test Resources** button to test the NI 5411 resources. A dialog box appears and indicates if the resource test has passed. If the test does not pass, verify that the board is plugged in properly. If the test still fails, contact National Instruments for support.
5. Click **Run Test Panels** to run the functional test panels and begin using your NI 5411. Select the appropriate output waveform type, frequency, and amplitude level.
6. Click **Close** when you finish testing your NI 5411. Click **OK** from the Properties window.

You have successfully installed and configured the necessary software and hardware to use your NI 5411 with the NI-FGEN software.

Program Your NI 5411

To program your NI 5411, open the VirtualBench-FG, VirtualBench-ARB, or Waveform Editor soft front panel from the **Start»Programs»National Instruments FGEN** menu. Refer to your *NI 5411/5431 User Manual* for more information on using this soft front panel to control your NI 5411.

Begin programming your NI 5411 in your ADE. Refer to the *NI-FGEN Online Function Reference Help* in the **Start»Programs»National Instruments FGEN»Documents** menu for more information on programming your NI 5411 with the instrument driver.



322388B-01

Aug00